

Table 4										
Cat. No.	Models		Rated voltage (V)	Rated current (A)	Dimensions/size (mm) Sizes Fig.	Weight (g)				
	MIRO	Cross-reference								
	gG(Normal)	aR(Fast)								
0401	NH00C	-	500/690	10-100	000 See Figure 4.1	138				

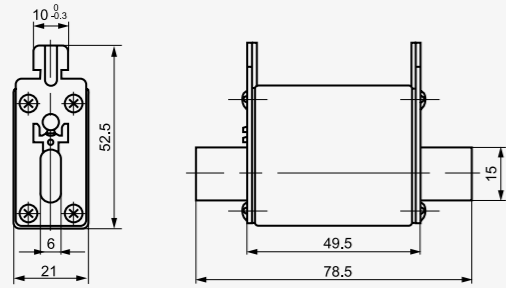


Figure 4.1

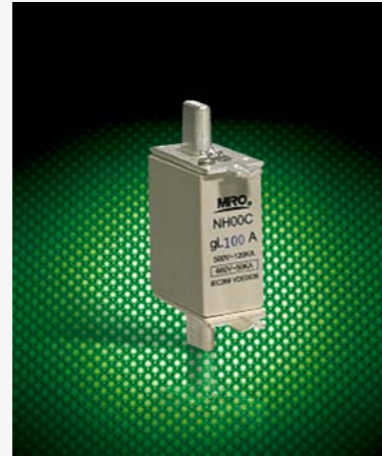


Table 4 (cont.)												
Cat. No.	Models		Rated voltage (V)	Rated current (A)	Dimensions/size (mm) Sizes Fig.	A	B	C	D	H	Weight (g)	
	MIRO	Cross-reference										
	gG(Normal)	aR(Fast)										
0402	NH00	RS31	500/690	10-160	00	4.2	78	50.5	15	30	60	201
0403	NH0	-	500/690	6-160	0	4.2	125	67	15	30	60	267

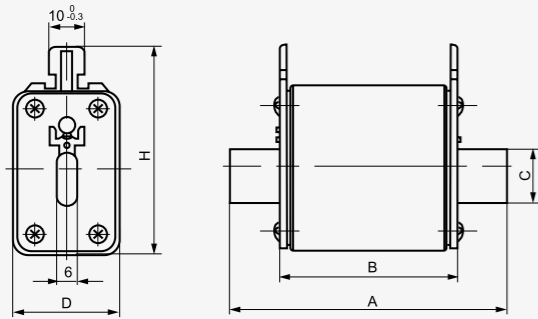


Figure 4.2



Table 4 (cont.)												
Cat. No.	Models		Rated voltage (V)	Rated current (A)	Dimensions/size (mm) Sizes Fig.	A	B	C	D	H	Weight (g)	
	MIRO	Cross-reference										
	gG(Normal)	aR(Fast)										
0404	NH1	RS32	500/690	32-250	1	4.3	135	68	20	46	58	447
0405	NH2	RS33	500/690	80-400	2	4.3	150	68	30	58	68	727
0406	NH3	RS34	500/690	160-630	3	4.3	150	68	36	70	82	975

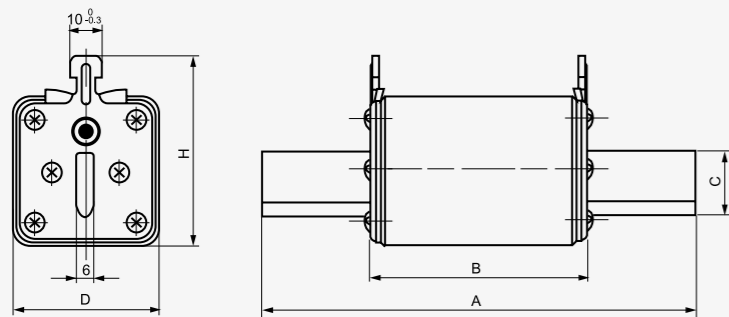


Figure 4.3



Table 4 (cont.)											
Cat. No.	Models		Rated voltage (V)	Rated current (A)	Dimensions/size (mm) Sizes Fig.	Weight (g)					
	MIRO	Cross-reference									
	gG(Normal)	aR(Fast)									
0407	NH1	-	500/690	16-160	1	See Figure 4.4					312

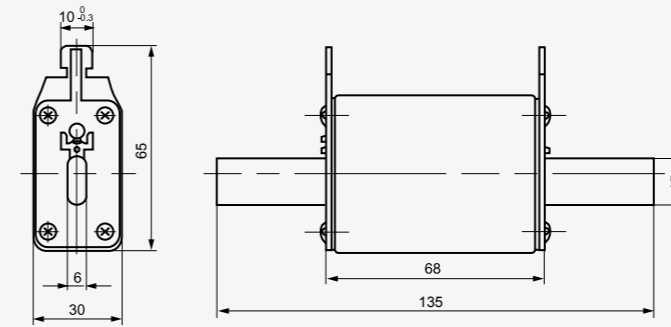


Figure 4.4

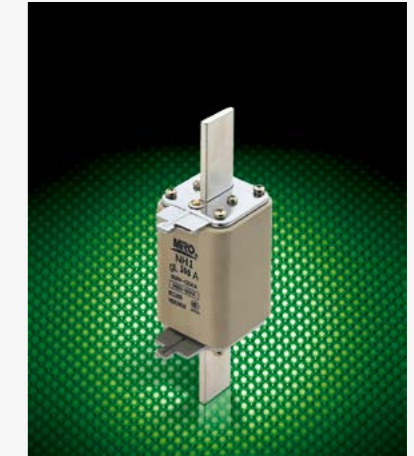


Table 4 (cont.)												
Cat. No.	Models		Rated voltage (V)	Rated current (A)	Dimensions/size (mm) Sizes Fig.	A	B	C	D	H	Weight (g)	
	MIRO	Cross-reference										
	gG(Normal)	aR(Fast)										
0408	NH2	-	500/690	35-250	2	4.5	150	67	20	46	67	458
0409	NH3	-	500/690	200-400	3	4.5	150	67	30	58	81	727

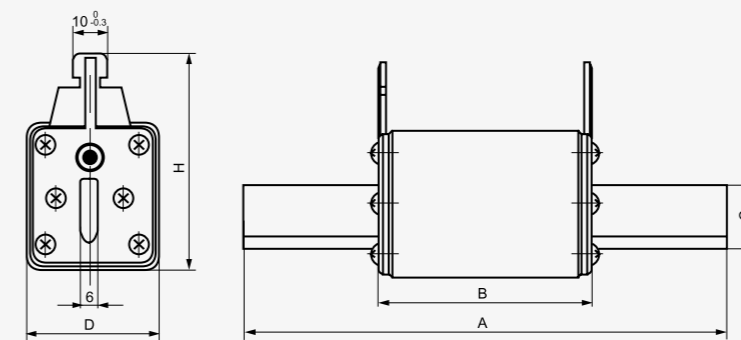


Figure 4.5

